



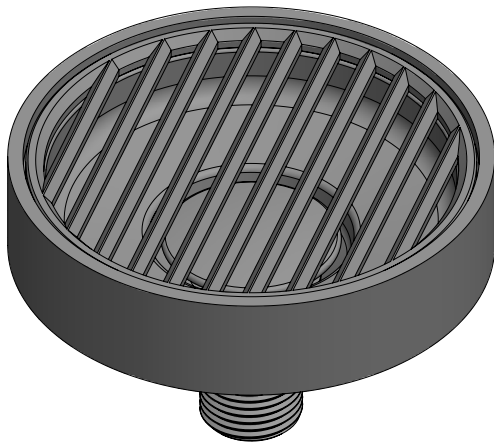
# OVERVIEW OF MODELS



## AQUALEX DRIPTRAY FREE

Round AQUALEX drip tray with no waste pipe.

- Installation *on* the worktop.
- More information on page 3.



## AQUALEX DRIPTRAY FLOW

Round AQUALEX drip tray with waste pipe.

- Installation *on or in* the worktop.
- More information on pages 4 and 5.



## AQUALEX DRIPTRAY FLAT

Round AQUALEX drip tray with waste pipe.

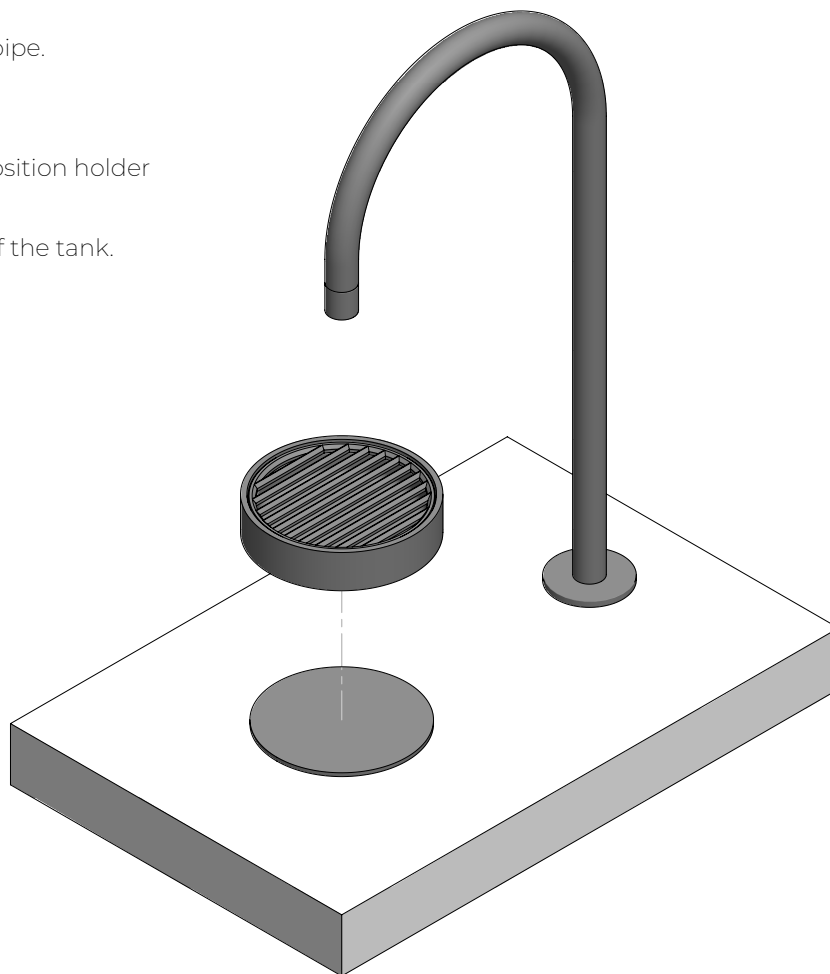
- Installation *on or in* the worktop.
- More information on pages 6 and 7.

# AQUALEX DRIPTRAY FREE

Round AQUALEX drip tray with no waste pipe.

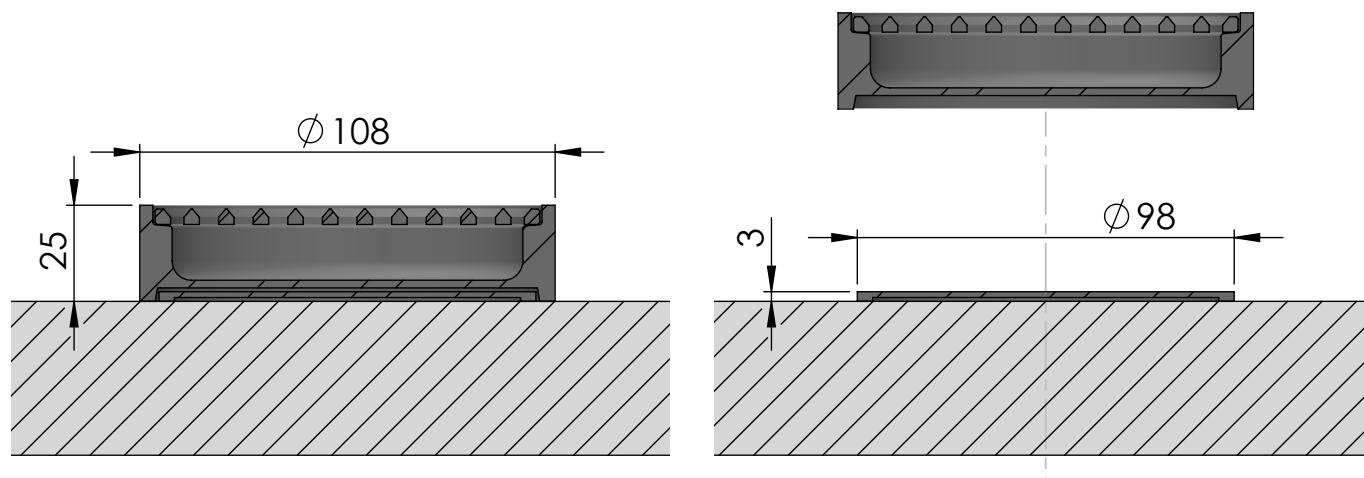
- Material = stainless steel.
- Adhesive installation from 98 mm dia. position holder **on the worktop**.
- Removable drip tray for easy emptying of the tank.
- Removable grille for easy cleaning.

Tank volume = 100 ml



All dimensions in mm

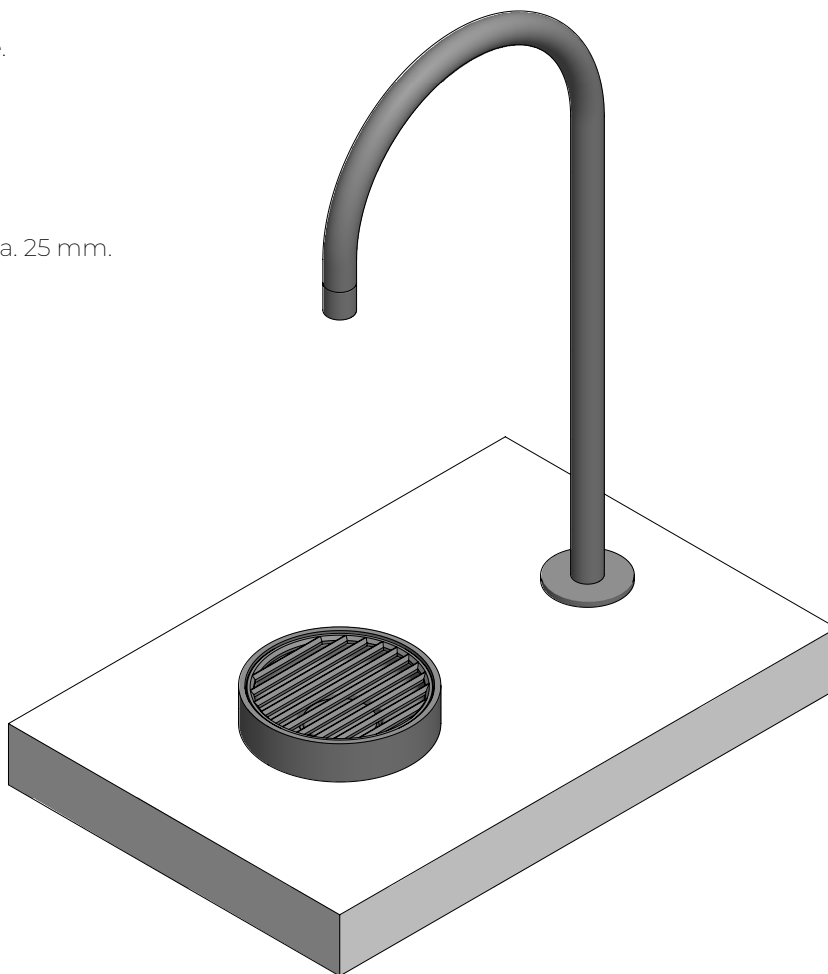
Dimensions:



# AQUALEX DRIPTRAY FLOW

Round AQUALEX drip tray with waste pipe.

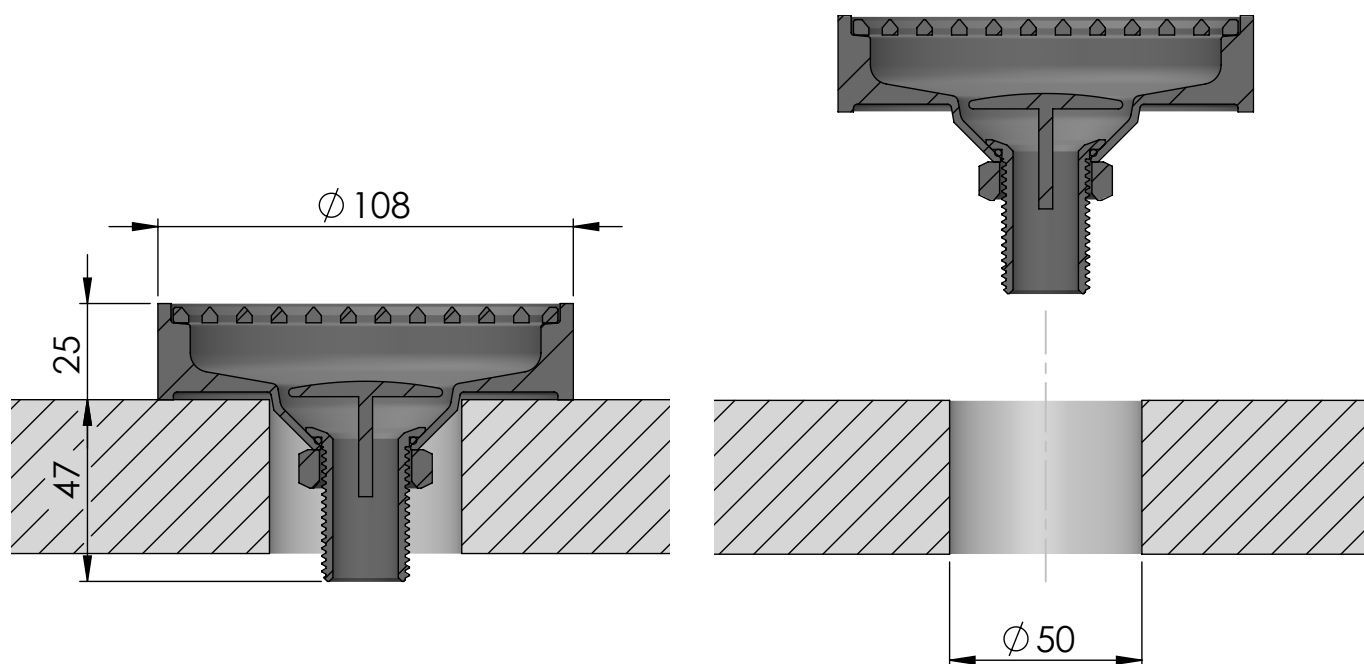
- Material = stainless steel.
- Adhesive installation *on the worktop*.
- Removable grille for easy cleaning.
- Including 2 m flexible waste pipe hose, dia. 25 mm.



All dimensions in mm

Drip tray dimensions:

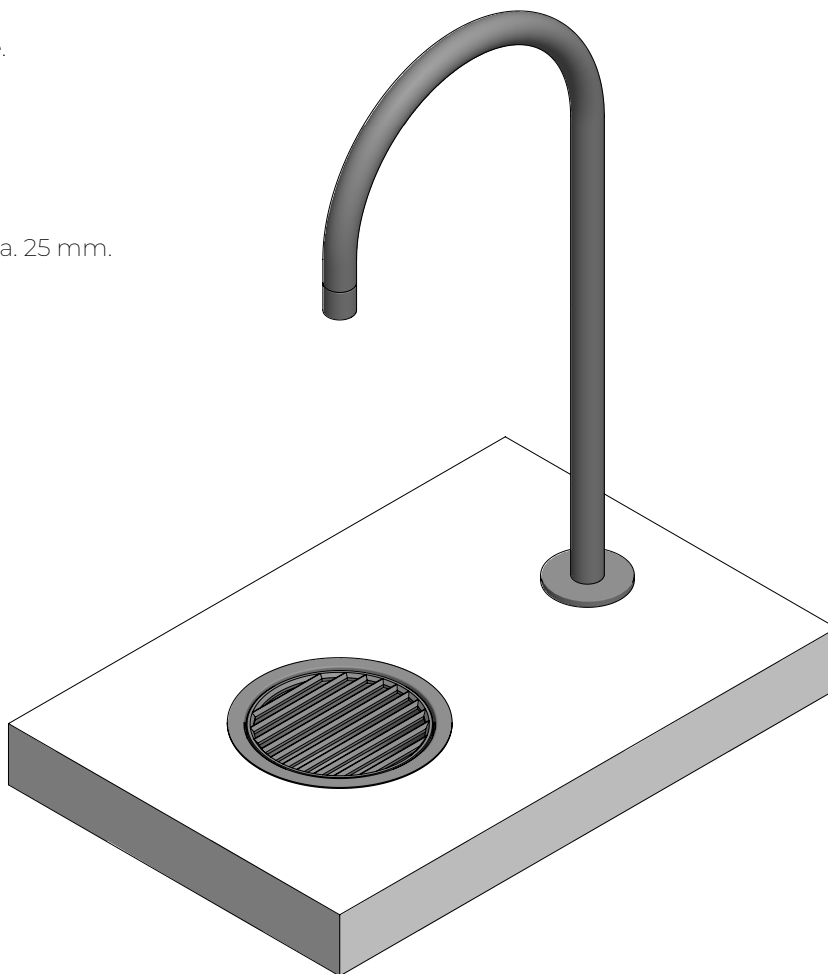
Hole required:



# AQUALEX DRIPTRAY FLAT

Round AQUALEX drip tray with waste pipe.

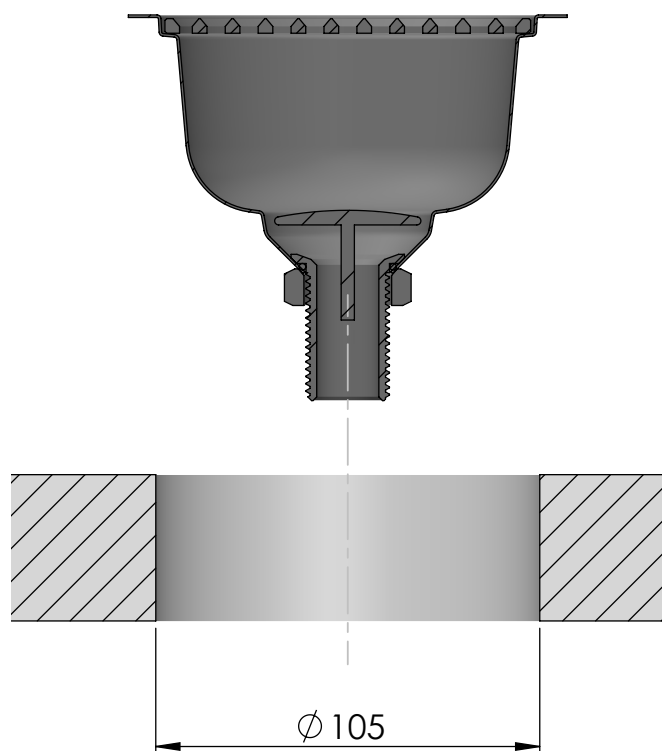
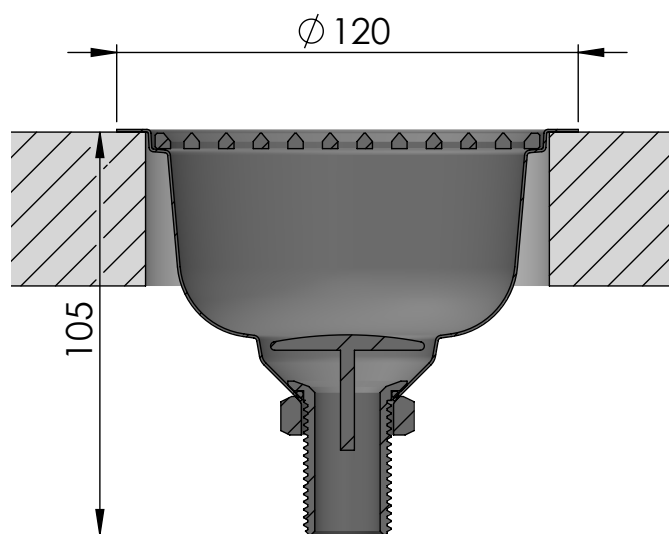
- Material = stainless steel.
- Adhesive installation *on the worktop*.
- Removable grille for easy cleaning.
- Including 2 m flexible waste pipe hose, dia. 25 mm.



All dimensions in mm

Drip tray dimensions:

Hole required:

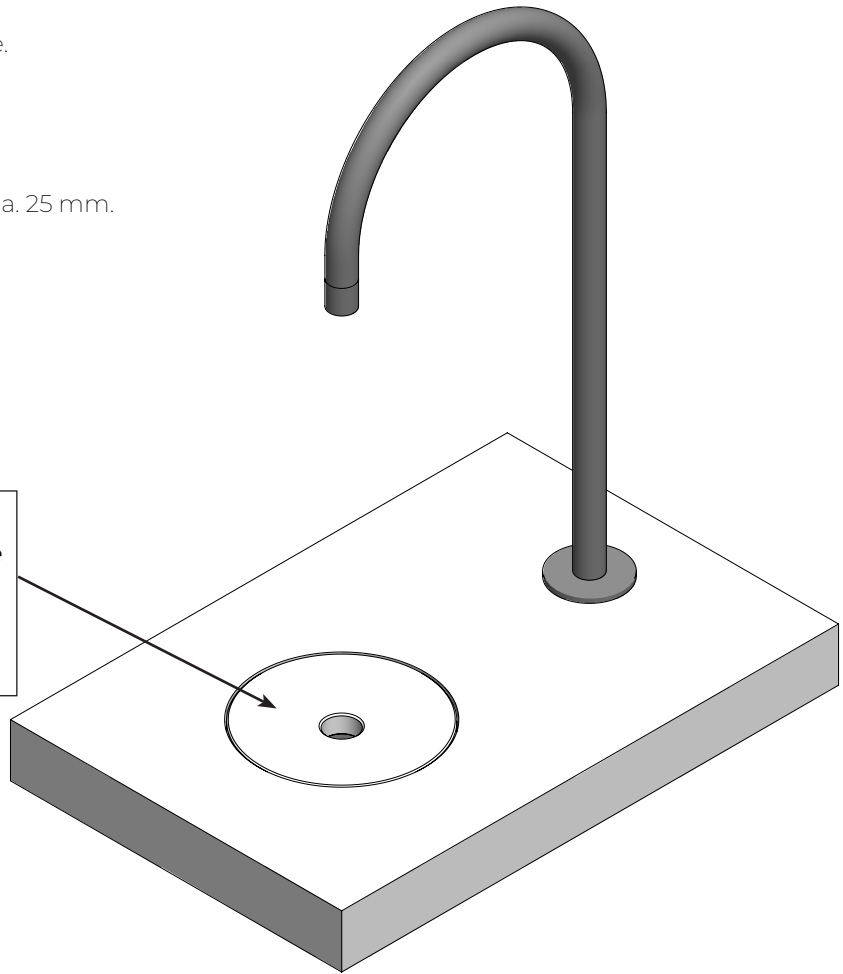


# AQUALEX DRIPTRAY FLAT

Round AQUALEX drip tray with waste pipe.

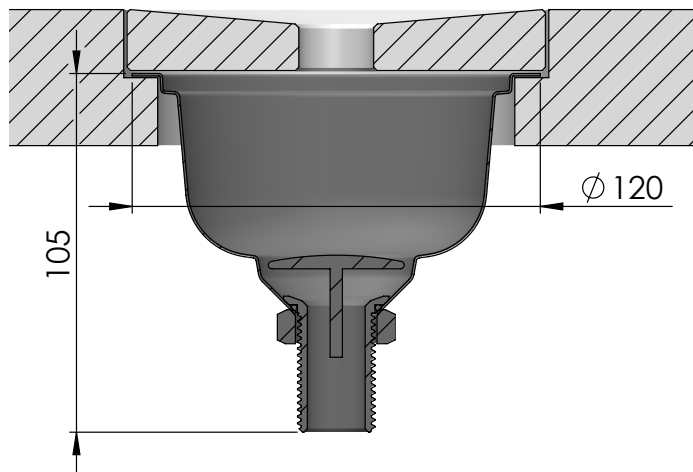
- Material = stainless steel.
- Adhesive installation *in the worktop*.
- Including 2 m flexible waste pipe hose, dia. 25 mm.

Cover and hole cannot be provided by AQUALEX. This version can only be manufactured by CNC milling. The material core must be water-resistant.



All dimensions in mm

Drip tray dimensions:



Hole and cover required:

